



BMW BRAKE APPLICATIONS



**FAST ROAD & TRACK DAY BRAKE UPGRADES
BIG BRAKE KITS - RACE DISCS AND PADS**



BMW BRAKE APPLICATIONS

Carbon Metallic®

PADS

| APPLICATION | MODEL | YEAR | FRONT | REAR |
|-----------------|-----------------------------------|-----------|---------------|---------------|
| 1 Series | | | | |
| E87 | 118, 120 | 2004 - | 0558.11 | - |
| 3 Series | | | | |
| E21 | 320, 323 | 1975 - 82 | 0174.10 | - |
| E30 | 316, 318, 320, 323, 324, 325 | 1982 - 91 | 0278.06.17.44 | 0279.06.16.44 |
| | M3 | 1986 - 93 | 0395.11 | 0396.11 |
| E36 | Compact, 318, 320, 323, 325, 328 | 1990 - 98 | 0558.11 | 0396.11 |
| | M3 | 1990 - 99 | 0394.11 | 0396.11 |
| E46 | Compact, 318, 320, 323, 328, 330 | 1993 - 05 | 0558.11 | 0396.11 |
| | M3 | 2000 - 06 | 0394.11 | 0548.11 |
| | CSL | 2003 - 06 | 0394.11 | 0548.11 |
| E90,91, 92, 93 | 330 | 2006 - | 1061.38.21.44 | - |
| | 335 | 2007 - | 0918.11 | 0548.11 |
| | M3 | 2007 - | 0918.11 | 0919.11 |
| 5 Series | | | | |
| E28 | 518, 520, 524, 525, 527, 528, 535 | 81 - 88 | 0395.11 | 0279 |
| E34 | M5 | 88 - 91 | 0394 | 0396 |
| E34 | 518, 520, 524, 525, 530, 535, 540 | 88 - 86 | 0394.11 | 0396.11 |
| 6 Series | | | | |
| E24 | 635 | 1982-89 | 0395.11 | |
| E63 | 635 | 2004 - | 0918.11 | 0919.11 |
| E64 | 630, 645, 650 | 2004 - | 0918.11 | 0919.11 |
| Z Series | | | | |
| Z1 | | 1988 - 91 | 0278.06.17.44 | 0396.11 |
| Z3 | 1.8, 1.9, 2.0, 2.2, 2.8 | 1995 - 02 | 0558.11 | 0396.11 |
| | Z3M | 1998 - 02 | 0394.11 | 0396.11 |
| Z4 | 2.0, 2.2, 2.5, 3.0 | 2003 - 10 | 0558.11 | 0396.11 |
| | Z4M | 2006 - 08 | 0394 | 0548 |
| BMW MINI | | | | |
| MK1 | 1.4, 1.6, cooper, cooper S | 2001 - 07 | 0939.97.18.44 | 0940.97.16.44 |
| | JCW (upgrade kit) | 2002 - | 1204.10 | 1060.10 |
| MK2 | 1.4, 1.6 cooper (R56) | 2007 - | 1204.10 | 1060 |

PADS FOR AP CALIPERS

| AP PART NO. | PFC PAD | THICKNESS / MM |
|---------------------|-------------|----------------|
| 3215 D50 | 7767 | 17 |
| 5070 D51 | 7793 | 17 |
| 5070 D54 | 7790 | 17 |
| 6600 D55 | 7869 | 17 |
| 7600 D46 | 7834 | 16 |
| 3894 D54 | 7790 | 18 |
| 3345 D42 / 2340 D43 | 7740 - 7745 | 16 |
| 6627 D51 | 7870 | 17 |



BMW BRAKE APPLICATIONS

PAD COMPOUNDS

Carbon Metallic®

2011 Production Performance Friction Compounds - listed in the order of highest bite and torque

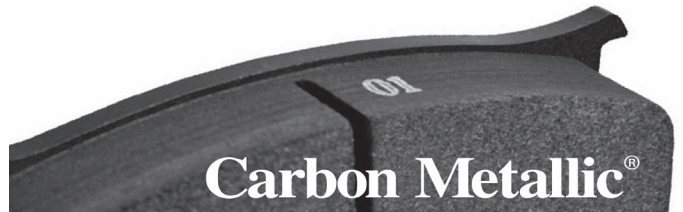
01 has high initial bite and torque with very little torque rise with temperature. It has less torque scatter at the end of the stop for improved modulation. 01 Compound has good disc conditioning properties with low wear. 01 Compound is one of PFC's most popular race compounds, and wins more World and National Championships annually than any other brake pad on the market. Recommended for a wide range of competition applications, both tarmac and gravel surfaces.

06 has been designed as an endurance / sprint compound and is very similar to PFC 01 for both bite and torque, with excellent release and control with very low wear and very easy on brake discs. 06 pads are an excellent alternative to other brands of endurance compounds but give a much higher performance. This compound works well in both motorsport and OE type calipers even when ABS systems are retained.

08 compound is one of PFC's newest and has gained immediate favour in extended Endurance Sportscar, and GT racing due to its performance in applications where smooth initial bite is a must. 08 has a slight friction rise with temperature, excellent release and modulation characteristics. Very low disc wear, similar to 01. Despite its considerable performance, 08 has the lowest wear rate of all PFC compounds and can easily match the wear characteristics of the other competitor's materials but with much higher bite.

97 Compound has less initial bite and average torque than 08. It has great modulation, a very flat torque curve, and enhanced release characteristics. 97 is recommended as a general-purpose pad for Club Racing and Track Day events. This compound also works well in the rear when a higher torque front pad is chosen but a very stable consistent low torque rear pad is required. 97 compound can produce higher levels of dust at elevated temperatures.

Z-Rated .10 / .11 - this compound has been designed for fast road / trackday applications. It gives more stopping power and increased fade resistance over the OE materials but retains the good qualities of the road pad i.e., low dusting and noise along with low wear rate.

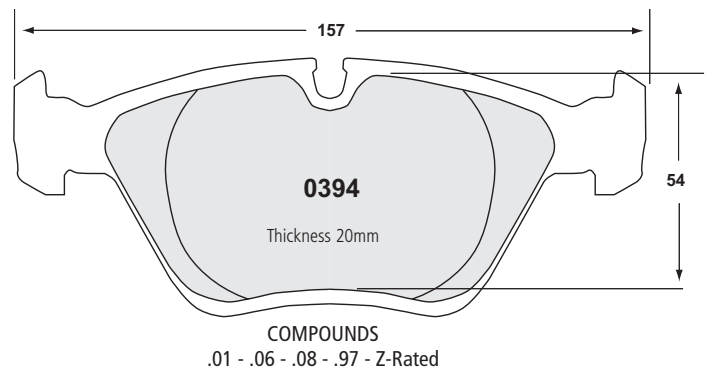
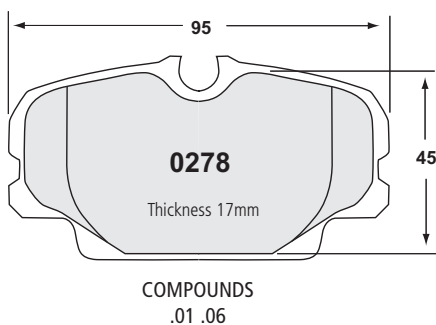
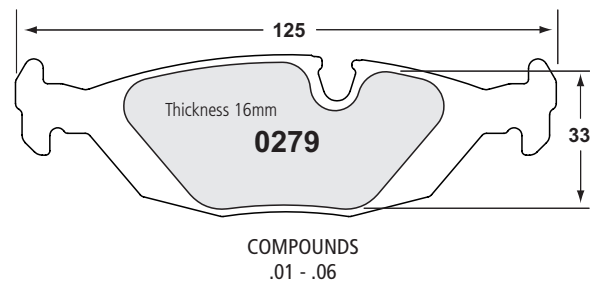
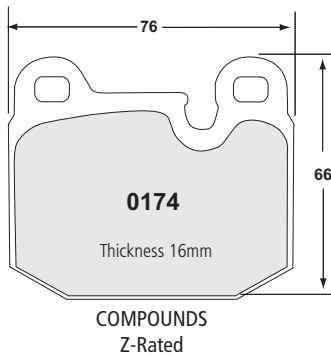


PAD PROFILES

PAD COMPOUNDS AVAILABLE

PART NUMBERING AS FOLLOWS:

Pad Shape **0031** Compound **.97** Total Thickness **.15 (mm)**





BMW BRAKE APPLICATIONS

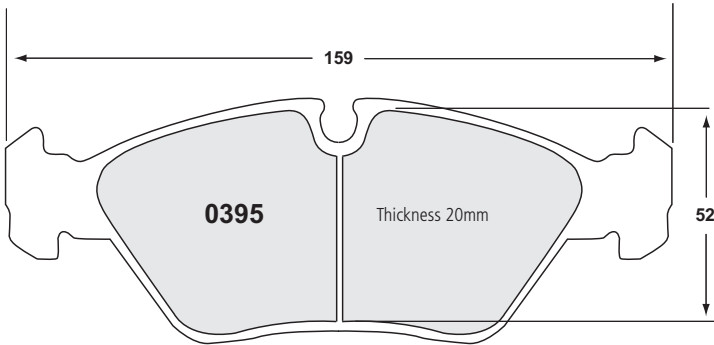
Carbon Metallic®

PAD PROFILES

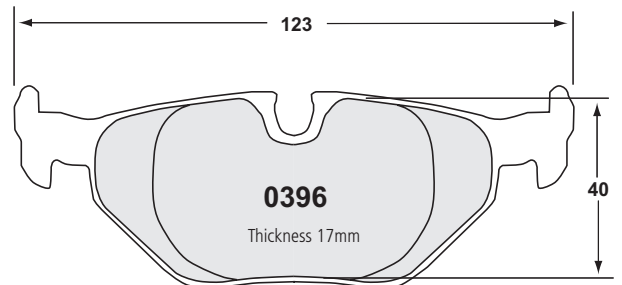
PAD COMPOUNDS AVAILABLE

PART NUMBERING AS FOLLOWS:

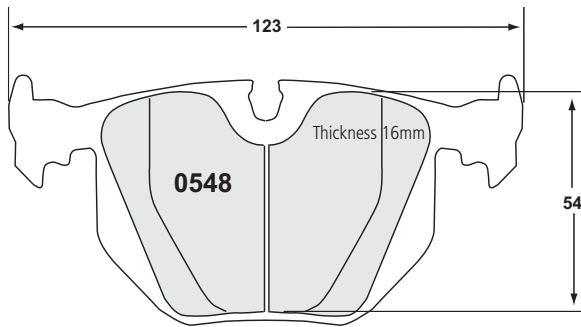
Pad Shape **0031** Compound **.97** Total Thickness **.15** (mm)



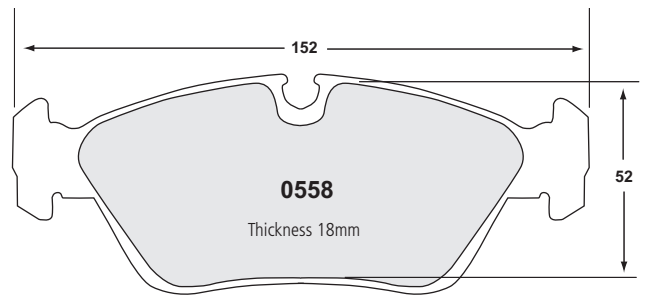
COMPOUNDS
.01 - .06 - .97 - Z-Rated



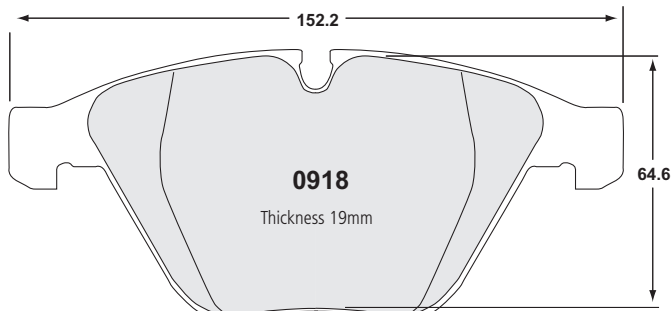
COMPOUNDS
.01 - .06 - .97 - Z-Rated



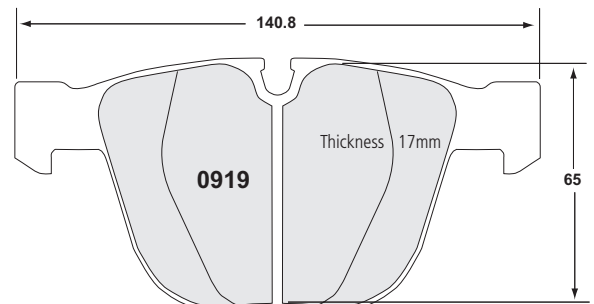
COMPOUNDS
.01 - .06 - .08 - Z-Rated



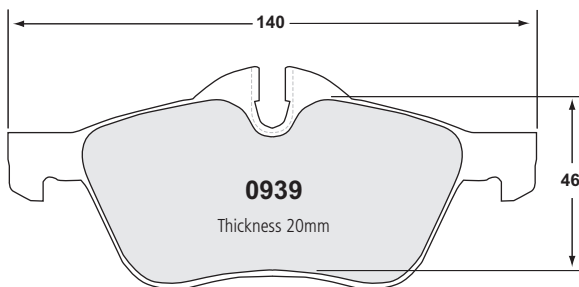
COMPOUNDS
.01 - .06 - .97 Z-Rated



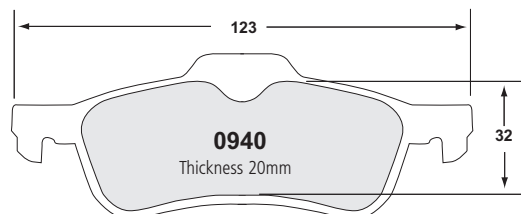
COMPOUNDS
.08 - Z-Rated



COMPOUNDS
.08 - Z-Rated



COMPOUNDS
.97

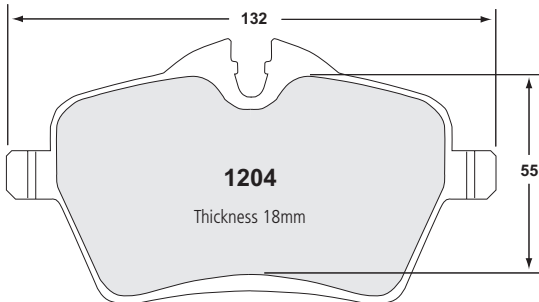


COMPOUNDS
.01 - .97

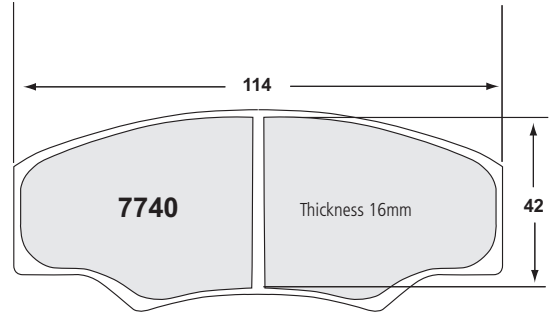


BMW BRAKE APPLICATIONS

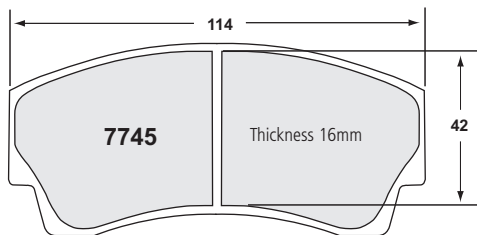
Carbon Metallic®



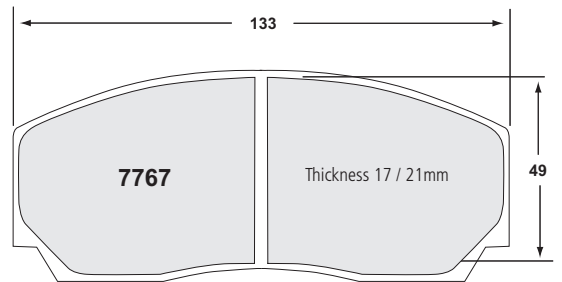
COMPOUNDS
.06 - Z-Rated



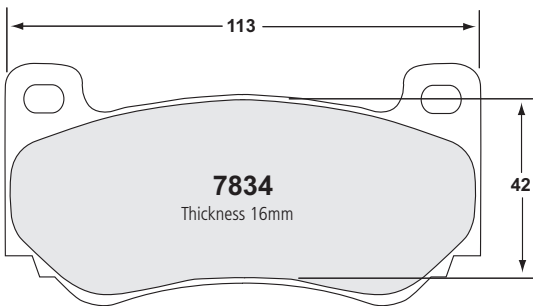
COMPOUNDS
.01 - .97



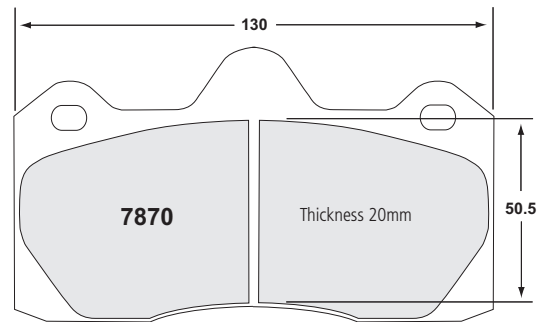
COMPOUNDS
.01



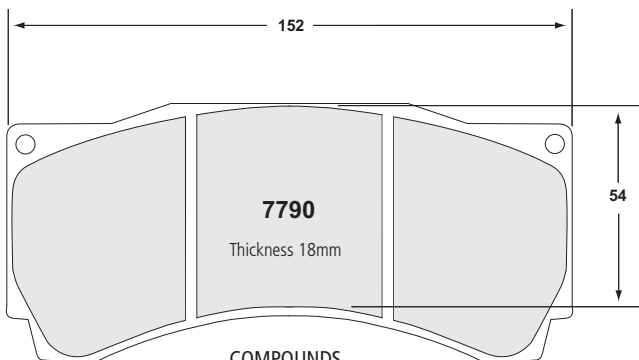
COMPOUNDS
.01 - .06 - .97 - Z-Rated



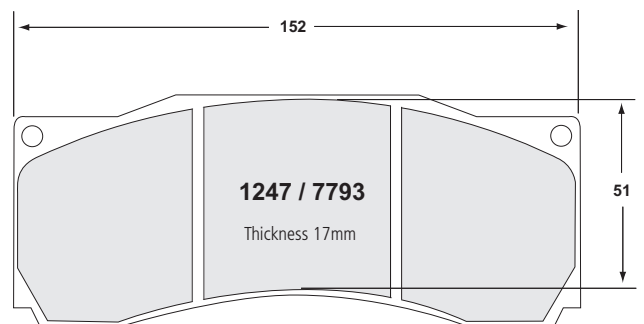
COMPOUNDS
.01



COMPOUNDS
.97



COMPOUNDS
.01 - Z-Rated



COMPOUNDS
.01 - .06 - .08 - Z-Rated

REPLACEMENT DISCS

| APPLICATION | MOUNTING | PART NO. | FRONT PAD | REAR PAD |
|--|----------|------------------------------------|-----------|----------|
| E36 M3/Z3 - 1995-00 - hat and floating disc assembly (Dimpled) Replacement disc and fitting kit for 311.052.87/88 | Front | 311.052.87/88 311.28.0054.87/88 | 0394 | 0396 |
| E46 M3 - 2001-06 - hat and floating disc assembly (Dimpled) Replacement disc and fitting kit for 322.052.87/88 | Front | 322.052.87/88 322.28.0053.87/88 | 0394 | 0548 |
| E46 M3 - 2001-06 - hat and floating disc assembly (Dimpled) | Rear | 328.061.87/88 | 0394 | 7855 |
| E90/92/93 M3 - 2006- hat and floating disc assembly (Dimpled V2) Replacement disc for 357.062.85/86 | Front | 357.062.85/86 357.30.0065.43/44 | 0918 | 0919 |
| E90/E91 330i - 2004- hat and floating disc assembly (Dimpled) Replacement disc and fitting kit for 328.073.87/88 | Front | 328.073.87/88 328.24.0057.87/88 | 1061 | TBA |
| BMW (MINI) JOHN COOPER WORKS - 06 - ON & ATE 292mm upgrade kits - hat and floating disc assembly (Dimpled V2 drive system) Replacement disc for 292.044.85/86 | Front | 292.044.85/86 292.22.0055.43/44 | 1204 | 1060 |

REPLACEMENT DISCS AP KITS

| OE PART NO. | PFC NO. | APPLICATION | Dia (mm) | Thickness (mm) | Pad swept area (mm) | Disc mtg PCD (mm) | Disc mtg hole (mm) | No. bolt mtg holes (mm) |
|------------------|-------------------|-------------|----------|----------------|---------------------|-------------------|--------------------|-------------------------|
| CP3580-102/103 | 295.28.0051.03/04 | BMW | 295 | 28 | 51 | 177.8 | 6.4 | 12 |
| CP3580-2899/2898 | 330.28.0049.03/04 | BMW | 330 | 28 | 51 | 203 | 6.4 | 12 |
| CP3581-543/542 | 343.32.0054.03/04 | BMW | 343 | 32 | 55 | 216 | 6.4 | 12 |
| CP3581-537/536 | 356.32.0054.03/04 | BMW | 356 | 32 | 56 | 228 | 6.4 | 12 |

Z - RATED BRAKE KITS

| APPLICATION | YEAR | PATTERN | F/R | DIAM | CALIPER | HOLES | PART NO. |
|----------------------------|-------------|---------|-------|-------|---------|-------|-----------|
| 1-SERIES | | | | | | | |
| 135i (E81/E82) | 2008 - | DIMPLED | Front | 355mm | ZR31 | 4 | 1090.0001 |
| 135i (E81/E82) | 2008 - | SLOTTED | Front | 355mm | ZR31 | 4 | 1090.0002 |
| 135i (E81/E82) | 2008 - | DIMPLED | Rear | 355mm | ZR31 | 4 | 1091.0001 |
| 135i (E81/E82) | 2008 - | SLOTTED | Rear | 355mm | ZR31 | 4 | 1091.0002 |
| 3-SERIES | | | | | | | |
| 330i/335i(E90,E92)" | 2006 - | DIMPLED | Front | 355mm | ZR31 | 4 | 3100.0003 |
| 330i/335i(E90,E92)" | 2006 - | SLOTTED | Front | 355mm | ZR31 | 4 | 3100.0023 |
| 330i/335i (E90,E92)" | 2006 - | DIMPLED | Rear | 371mm | ZR31 | 4 | 0031.0002 |
| 330i/335i (E90,E92)" | 2006 - | SLOTTED | Rear | 371mm | ZR31 | 4 | 0031.0022 |
| M3 E36 | | | | | | | |
| M3 (E36) | 1995- 1999 | DIMPLED | Front | 323mm | ZR44 | 4 | 4400.0002 |
| M3 (E36) | 1995- 1999 | SLOTTED | Front | 323mm | ZR44 | 4 | 4400.0022 |
| M3 (E36) | 1995- 1999 | DIMPLED | Front | 355mm | ZR31 | 4 | 3100.0006 |
| M3 (E36) | 1995- 1999 | SLOTTED | Front | 355mm | ZR31 | 4 | 3100.0026 |
| M3 (E36) *race application | 1995- 1999 | DIMPLED | Front | 323mm | ZR45 | 4 | 4500.0011 |
| M3 (E36) *race application | 1995- 1999 | SLOTTED | Front | 323mm | ZR45 | 4 | 4500.0001 |
| M3 (E36) *race application | 1995- 1999 | DIMPLED | Front | 323mm | ZR45 | 4 | 4500.0012 |
| M3 (E36) *race application | 1995- 1999 | SLOTTED | Front | 323mm | ZR45 | 4 | 4500.0002 |
| M3 (E36) *race application | 1995- 1999 | DIMPLED | Front | 323mm | ZR39 | 4 | 3900.0002 |
| M3 (E36) *race application | 1995- 1999 | SLOTTED | Front | 323mm | ZR39 | 4 | 3900.0022 |
| M3 (E36) | 1995- 1999 | DIMPLED | Rear | 321mm | ZR29 | 2 | 0029.0003 |
| M3 (E36) | 1995- 1999 | SLOTTED | Rear | 321mm | ZR29 | 2 | 0029.0023 |
| M3 E46 | | | | | | | |
| M3 (E46) *race application | 2001- 2006 | DIMPLED | Front | 323mm | ZR39 | 4 | 3900.0001 |
| M3 (E46) *race application | 2001- 2006 | SLOTTED | Front | 323mm | ZR39 | 4 | 3900.0021 |
| M3 (E46) *race application | 2001- 2006 | DIMPLED | Front | 323mm | ZR45 | 4 | 1556.0011 |
| M3 (E46) *race application | 2001- 2006 | SLOTTED | Front | 323mm | ZR45 | 4 | 1556.0001 |
| M3 (E46) | 2001 - 2006 | DIMPLED | Front | 355mm | ZR31 | 4 | 3100.0004 |
| M3 (E46) | 2001 - 2006 | SLOTTED | Front | 355mm | ZR31 | 4 | 3100.0024 |



BMW BRAKE APPLICATIONS

Z - RATED BRAKE KITS

| APPLICATION | YEAR | PATTERN | F/R | DIAM | CALIPER | HOLES | PART NO. |
|----------------------------|------------|---------|-------|-------|---------|-------|----------------|
| M3 (E46) | 2001- 2006 | DIMPLED | Front | 323mm | ZR44 | 4 | 4400.0001 |
| M3 (E46) | 2001- 2006 | SLOTTED | Front | 323mm | ZR44 | 4 | 4400.0021 |
| M3 (E46) | 2001- 2006 | DIMPLED | Rear | 321mm | ZR29 | 2 | 0029.0002 |
| M3 (E46) | 2001- 2006 | SLOTTED | Rear | 321mm | ZR29 | 2 | 0029.0022 |
| M3 (E46) | 2001- 2006 | SLOTTED | Front | 355mm | ZR45 | 4 | 4500.0003 |
| M3 E90 / 92 | | | | | | | |
| M3 (E90,E92) | 2008 - | DIMPLED | Front | 372mm | ZR31 | 4 | 3100.0008 |
| M3 (E90,E92) | 2008 - | SLOTTED | Front | 372mm | ZR31 | 4 | 3100.0028 |
| M3 (E90,E92) | 2008 - | DIMPLED | Rear | 371mm | ZR31 | 4 | 0031.0003 |
| M3 (E90,E92) | 2008 - | SLOTTED | Rear | 371mm | ZR31 | 4 | 0031.0023 |
| M6 | | | | | | | |
| M6 (E63/64) | 2006 - | DIMPLED | Front | 378mm | ZR30 | 4 | 1136.0001 |
| M6 (E63/64) | 2006 - | SLOTTED | Front | 378mm | ZR30 | 4 | 1136.0002 |
| M6 (E63/64) | 2006 - | DIMPLED | Rear | 371mm | ZR31 | 4 | 1137.0001 |
| M6 (E63/64) | 2006 - | SLOTTED | Rear | 371mm | ZR31 | 4 | 1137.0002 |
| Z-SERIES | | | | | | | |
| Z3 M Roadster/ M Coupe | 1998- 2002 | DIMPLED | Front | 355mm | ZR31 | 4 | 3100.0006 |
| Z3 M Roadster/ M Coupe | 1998- 2002 | SLOTTED | Front | 355mm | ZR31 | 4 | 3100.0026 |
| E85 Z4 M Roadster/ M Coupe | 2006- 2008 | DIMPLED | Front | 323mm | ZR28 | 4 | 900.700.000.14 |
| Z4 M Roadster/ M Coupe | 2006- 2008 | SLOTTED | Front | 323mm | ZR28 | 4 | 4500.0003 |
| Z4 M Roadster/ M Coupe | 2006- 2008 | SLOTTED | Rear | 323mm | ZR29 | 2 | 0029.0002 |
| MINI COOPER | | | | | | | |
| Mini Cooper (Non-S, S) | 2007 - | DIMPLED | Front | 299mm | ZR34 | 4 | 1345.0001 |
| Mini Cooper (Non-S, S) | 2007 - | SLOTTED | Front | 299mm | ZR34 | 4 | 1345.0002 |
| Mini Cooper (Non-S, S) | 2007 - | DIMPLED | Rear | 321mm | ZR29 | 2 | 1346.0001 |
| Mini Cooper (Non-S, S) | 2007 - | SLOTTED | Rear | 321mm | ZR29 | 2 | 1346.0002 |

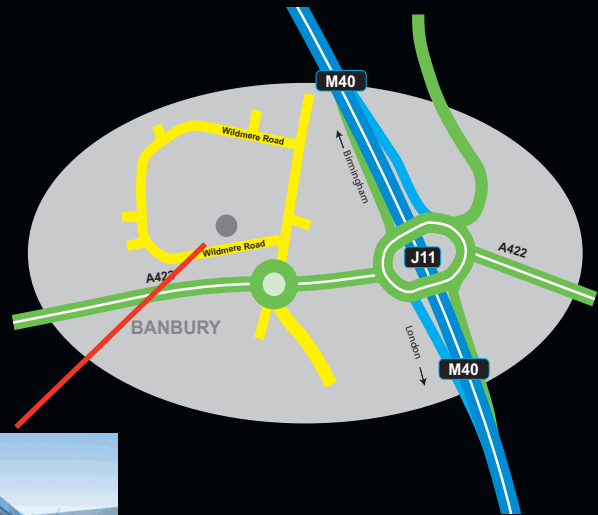
RACE DISCS AND PADS

| APPLICATION | F/R | CALIPER | PAD | HAT | DISC | BOBBIN |
|-----------------------------|-----|-----------------------|-------------|--------------------|-----------------------|----------------|
| Alpina B6 GT3 Sprint | F | AP 6 piston Pro 5000+ | 7790 - 25mm | Alpina supply | PFC 378.35.0053.07/08 | 912.113.775.02 |
| | F | | | Alpina supply | PFC 378.35.0053.57/58 | 912.113.775.05 |
| | R | AP 4 piston CP3799 | 7767 - 21mm | Alpina supply | PFC 355.32.0048.07/08 | 912.100.675.02 |
| Z4 GT3 Sprint | F | AP 6 piston | 7778 - 30mm | BMW Motorsport | PFC 378.35.0053.03/04 | AP bobbin kit |
| | R | AP 4 piston | 7767 - 21mm | BMW Motorsport | PFC 355.32.0051.05/06 | AP bobbin kit |
| M3 GT4 Sprint (GTR) | F | AP 6 piston | 7790 - 25mm | BMW Motorsport | PFC 378.35.0053.03/04 | AP bobbin kit |
| | R | AP 4 piston | 7767 - 21mm | BMW Motorsport | PFC 355.32.0051.05/06 | AP bobbin kit |
| E46 Sprint | F | PFC ZR28 | 7831 - 23mm | PFC 208.791.200.12 | PFC 323.30.0046.07/08 | 912.100.575.02 |
| | R | PFC ZR24 | 7827 - 16mm | PFC 189.751.121.12 | PFC 284.19.0035.07/08 | 912.100.475.02 |
| E46 M3 Sprint | F | PFC ZR33 | 7852 - 21mm | PFC 208.791.200.12 | PFC 323.32.0046.07/08 | 912.100.675.02 |
| | R | OE BMW | 7855 - 16mm | PFC 210.751.335.12 | PFC 328.20.0050.27/28 | 912.100.575.02 |
| E46 M3 Sprint | F | PFC ZR33 | 7852 - 21mm | PFC 230.790.075.12 | PFC 355.35.0047.57/58 | 912.113.775.05 |
| | R | PFC ZR33 | 7852 - 21mm | PFC 208.750.135.12 | PFC 323.32.0046.07/08 | 912.100.675.12 |
| | | | | | PFC 323.29.0046.07/08 | 912.100.475.02 |



HOW TO FIND US

Our European Headquarters located at Banbury in Oxfordshire is extremely well serviced by road, rail and air transport.



Performance Friction Europe

Carbon Metallic House, Wildmere Road,
Banbury, Oxon OX16 3LU
United Kingdom

Tel: +44(0)1295 221020 Fax: +44(0)1295 279711

uksales@performancefriction.com
www.performancefriction.com